



Gfs SmartShield for panic bars

Part No.: 960 950

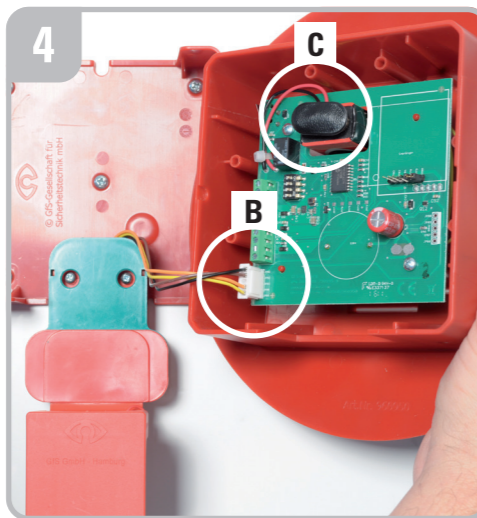
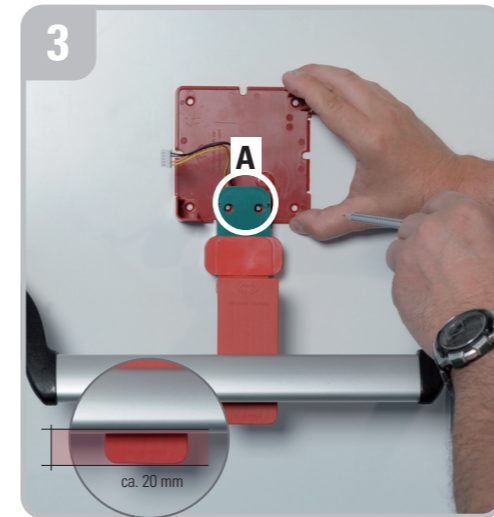
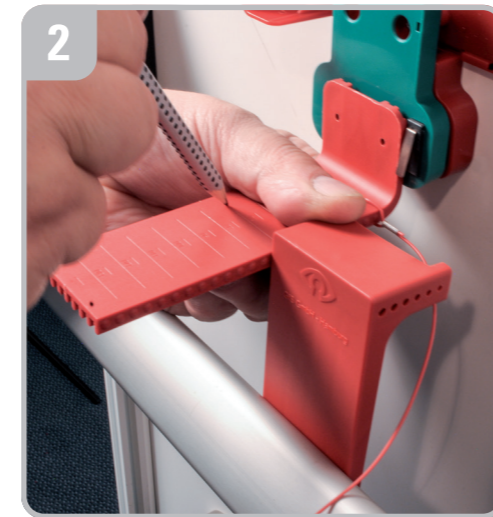


New product – new questions
 Our experts are available from
Monday to Friday between 8.00 a.m. and 5.00 p.m.
 to answer to your questions.
01702 216999

Operation
 Gfs SmartShield is designed for simple, wireless installation. Panic bars are secured via the visible and audible deterrent. SmartShield integrates a pre-alarm giving and temporary alert if the panic bar is slightly de-pressed. If the panic bar released, the pre-alarm immediately stops. Main alarm (75 dBA) sounds when panic bar is fully operated and the door opens. When operated, trigger arm drops to the floor or swings on retaining wire. Alarm can only be silenced and reset by authorised person. To reset, refit trigger arm and red trigger arm cover by clipping into green switch module. Low battery monitor emits warning tone for ten days when charge is less than 7.5V.

- Features**
- Easy installation
 - Strong deterrent
 - Alarm deactivation with device key
 - Battery monitoring included
 - Integrated tamper alarm
 - Option: radio transmission
 - Perfect for retrofit business
 - Screwless fixing on fire doors or glass door with adhesive pads

- Scope of delivery**
- 1x Gfs SmartShield for panic bars
 - 1x Adjustable trigger arm including retaining cord
 - 6x Trigger Arm Cover Plates
 - 1x 9 V battery
 - 2x Keys
 - 1x STOP label
 - 7x Screws



Installation

1. Correctly place the Gfs SmartShield in the desired position.
Ensure the trigger bar overlaps panic bar by 1–2 cm. Check that panic bar can fully operate whilst still pushing against red trigger arm.
2. Cut horizontal arm so that when fitted the trigger arm is against the inside of the panic bar. Clip red trigger arm cover over trigger arm into green switching module.
3. Fix the Gfs SmartShield to the door with screws provided. Additional screws can be fitted under green plate if required. In the case, green plate should be removed first and then refitted over supplementary screws. For fire doors and glazed doors, adhesive pads can be used.
4. Insert and turn the key into position 1, then remove it. Connect the battery (C). After 5 seconds two short signals sound. The Gfs SmartShield is now deactivated. Insert the plug of the trigger arm on the circuit board (B).
5. Place the housing onto the base plate
6. Fix the housing onto the base plate (**do not over-tighten**). Place the STOP sticker on the housing.
7. To activate the Gfs SmartShield, insert the key and turn it to 0. Then turn the key to 1 and quickly back to 0 (< 5 sec) and remove the key.

Change battery: proceed as described in 4.

Operation

Activation
 Key switch on 0

Then
 short pulse (< 5 sec) to 1

and
 back to 0

Quit alarm
 short pulse (< 5 sec) to 1

and
 back to 0

Permanently open function
 Hold key in position 1 until it beeps twice

After that
 turn back to 0

Single release
 Authorized persons may bypass the Gfs SmartShield by opening the door with a key.

Functions DIP Switches

DIP switch	1	2	3	4
Permanent alarm ¹	OFF	OFF	OFF	OFF
Alarm duration 180 seconds	ON	OFF	OFF	OFF
Instant alarm ¹	OFF	OFF	OFF	OFF
Delayed alarm (15 sec)	OFF	OFF	ON	ON
Reduced volume (75 dB/1 m) ¹	OFF	OFF	OFF	OFF
Full volume (95 dB/1 m)	OFF	OFF	OFF	ON
Autoreset	OFF	ON	OFF	OFF

¹ Factory settings

Sounds

Interval	Meaning
3 sec	Screw to fix housing on base plate is loose/missing ³ OR: red upper plate is missing
permanent	Permanent alarm when opening the door OR tamper alarm OR red upper plate missing
60 sec	Battery monitoring Voltage drops below 7.5 V
	Permanent opening command

³ just during initial installation

Terminal connection

1 – 3 Volt free relay, 30 V/0.5 A max.
 4 + 5 Mains supply, 12 V (max 13 V).
 For GND do not use cl. 7 or 9
 6 + 7 External key switch with reset (GND cl. 7)
 8 + 9 Access Control System (GND cl. 9)

Mains supply 12 V (– 0.5 V/+ 1 V) or 9 V (max. 10 V)
 Current consumption 12 mA Activated mains operation
 10 µA Activated battery operation
 66 mA Alarm (siren active)

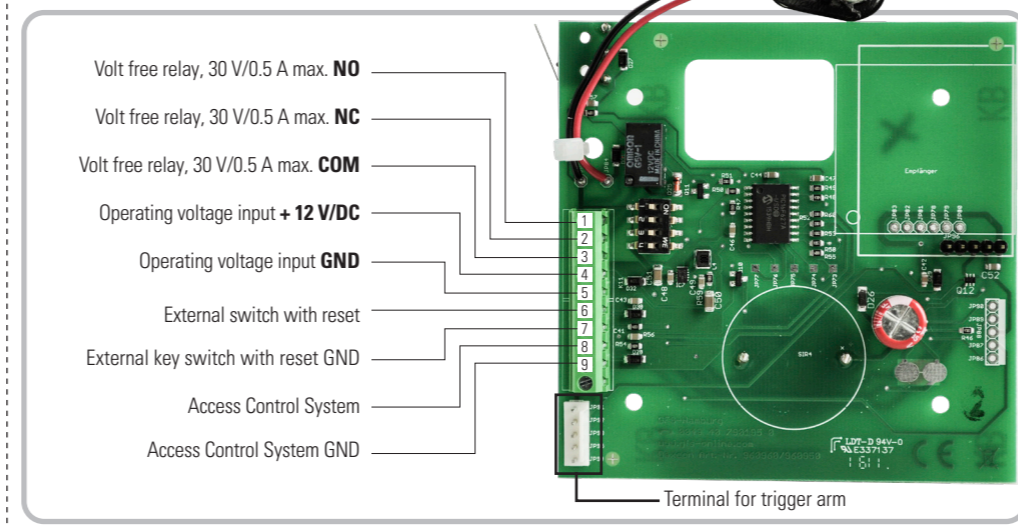
General information

Disposal
 Disposal via official WEEE collection point or by return to your supplier. Packaging must be recycled where possible.

Warranty
 Within the legal warranty time we intend to repair all defective devices, whether the defect is caused by the material or assembly, or replace them. The warranty expires after a third-party repair.

Conformity
 This product complies with the essential requirements of the R&TTE guideline 1999/5/EG. The certificate of conformity can be requested from your supplier.

Service
 In case of a system failure or a defective Gfs SmartShield please contact your dealer.



960955_DXC_0516 For printing errors, we assume no liability. Price increases, technical changes and updates without notice.



GfS SmartShield for pushbars

Part No.: 960 955



New product – new questions
 Our experts are available from
Monday to Friday between 8.00 a.m. and 5.00 p.m.
 to answer to your questions.
01702 216999

Description

The GfS SmartShield for pushbars is designed for an easy, wireless installation. The GfS SmartShield is an effective deterrent which monitors the abuse of emergency exits. The red trigger angle of the GfS SmartShield secures the pushbar. The sticker STOP sends out the message that the door should not be used without authorisation. The GfS SmartShield for pushbars integrates a pre-alarm which gives a non-permanent alarm while the pushbar is smoothly pressed. After releasing the pushbar the pre-alarm goes off automatically. If the pushbar is pressed firmly so that the door opens, the permanent alarm (75 dB/1 m) is triggered. The integrated battery monitoring indicates, that it is time to change the battery (voltage below 7.5 V). The GfS SmartShield emits a warning tone over a period of 10 days. Mains supply is possible.

Features

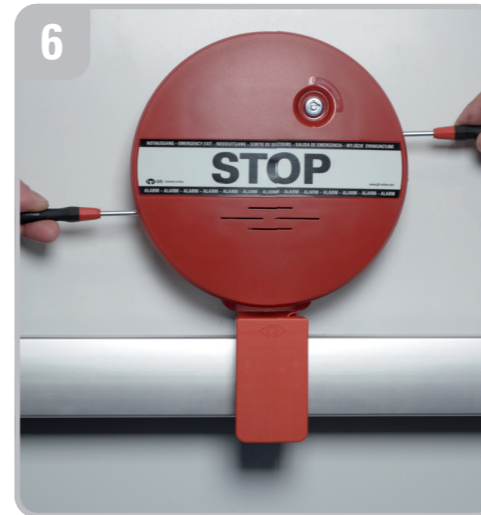
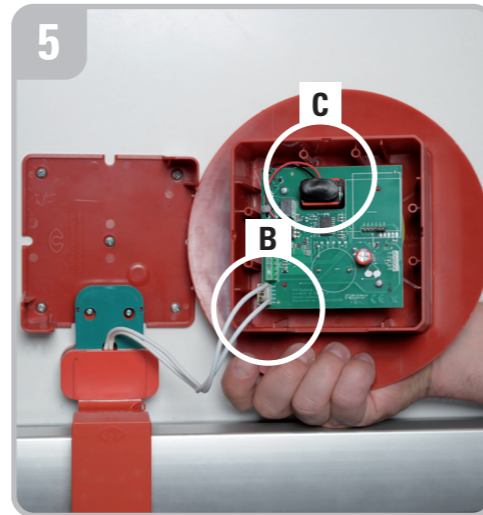
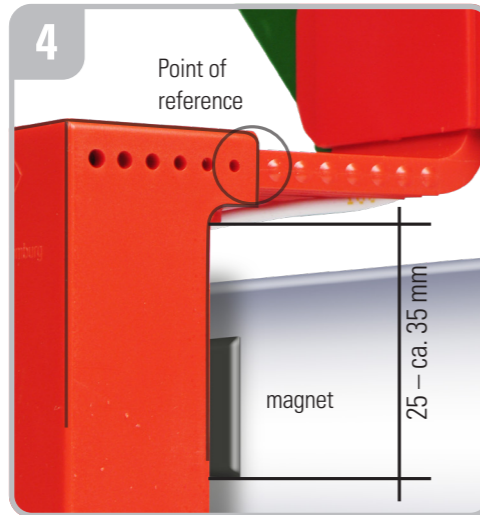
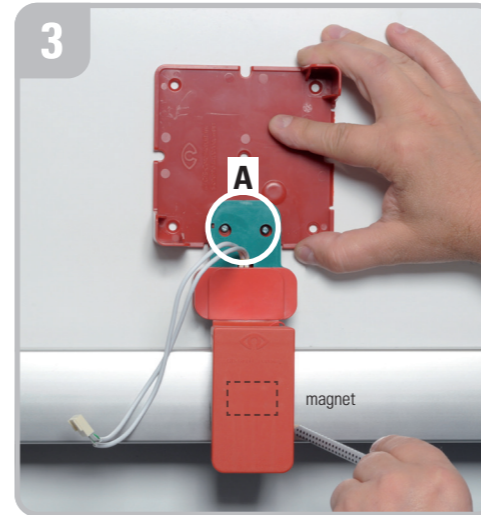
- Easy installation
- Strong deterrent
- Alarm deactivation with device key
- Battery monitoring included
- Integrated tamper alarm
- Option: radio transmission
- Perfect for retrofit business
- Screwless fixing on fire doors or glass door with adhesive pads.

Scope of delivery

- 1x GfS SmartShield for pushbars
- 1x Adjustable trigger arm
- 6x Red upper plates
- 1x Self-adhesive magnet
- 1x 9 V battery
- 2x Keys
- 1x STOP label
- 7x Screws

Installation

1. Correctly place the GfS SmartShield in the desired position.
 2. Cut horizontal arm so that when fitted the trigger arm is against the outside of the push bar when fully engaged.
 3. Fix the GfS SmartShield to the door with the five screws supplied. Additional screws can be fitted under green plate if required. In this case, green plate should be removed first and then refitted over supplementary screws.
 4. Fix adhesive magnet to bar as shown in fig. 4. Attach the trigger arm to green pad on plate.
 5. Insert the key, turn it into position 1 and remove the key. Connect the battery (C). After about 5 sec two short beeps will sound. The device is now in permanent open mode. Connect trigger arm plug to PCB socket.
 6. Mount housing on base plate and tighten the two supplied screws (**do not over-tighten**). Place the STOP label onto the housing.
 7. To activate the GfS SmartShield insert the key and turn it to 0. Then, turn the key to 1 and quickly back to 0 (< 5 sec.). Remove the key.
- Change battery:**
 proceed as described in 5.



Operation

Activation	Diagram
Key switch on 0	
Then short pulse (< 5 sec) to 1	
and back to 0	
Quit alarm short pulse (< 5 sec) to 1	
and back to 0	
Permanently open function Hold key in position 1 until it beeps twice	
After that turn back to 0	
Single release short pulse (< 5 sec) to 1	
and back to 0	

Functions DIP Switches

DIP switch	1	2	3	4
Permanent alarm ¹	OFF	OFF	OFF	OFF
Alarm duration 180 seconds	ON	OFF	OFF	OFF
Instant alarm ¹	OFF	OFF	OFF	OFF
Delayed alarm (15 sec)	OFF	OFF	ON	ON
Reduced volume (75 dB/1 m) ¹	OFF	OFF	OFF	OFF
Full volume (95 dB/1 m)	OFF	OFF	OFF	ON
Autoreset	OFF	ON	OFF	OFF

¹ Factory settings

Sounds

Interval	Meaning
	Screw to fix housing on base plate is loose/missing ³ OR: Magnet missing/false position
	Permanent alarm when door is opened OR: tamper alarm
	Battery monitoring Voltage drops below 7.5 V
	Permanent opening command

³ just during initial installation

Terminal connection

- 1 – 3 Volt free relay, 30 V/0.5 A max.
- 4 + 5 Mains supply, 12 V (max 13 V). For GND do not use cl. 7 or 9
- 6 + 7 External key switch with reset (GND cl. 7)
- 8 + 9 Access Control System (GND cl. 9)

- Mains supply 12 V (- 0.5V/+ 1 V) or 9 V (max. 10 V)
- Current consumption 12 mA Activated mains operation
10 µA Activated battery operation
66 mA Alarm (siren active)

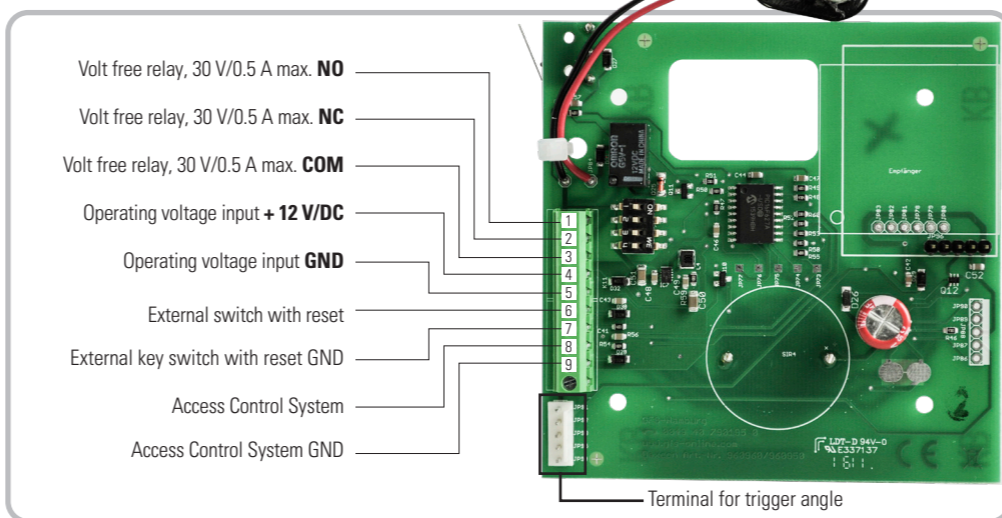
General information

Disposal
 Disposal via official WEEE collection point or by return to your supplier. Packaging must be recycled where possible.

Warranty
 Within the legal warranty time we intend to repair all defective devices, whether the defect is caused by the material or assembly, or replace them. The warranty expires after a third-party repair.

Conformity
 This product complies with the essential requirements of the R&TTE guideline 1999/5/EG. The certificate of conformity can be requested from your supplier.

Service
 In case of a system failure or a defective GfS SmartShield please contact your dealer.



960955_DXC_0516 For printing errors, we assume no liability. Price increases, technical changes and updates without notice.